

Silencers Model SM4 Hospital 35-40 dBA

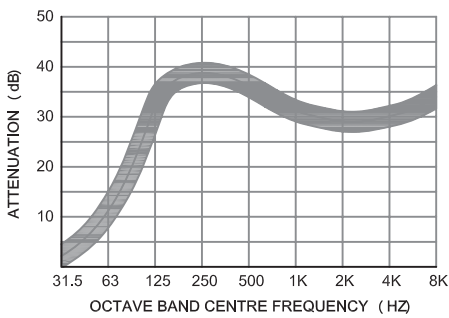
Applications and Performance

Model SM4 silencers are recommended for use in areas where the surrounding noise level is very low. These silencers achieve a ultra high noise reduction by utilizing a multi chamber design that incorporates a series of non-resonant tube arrangements that allow the gases to flow from one chamber to another. This creates a reversal of flow and develops a predictable amount of back pressure.

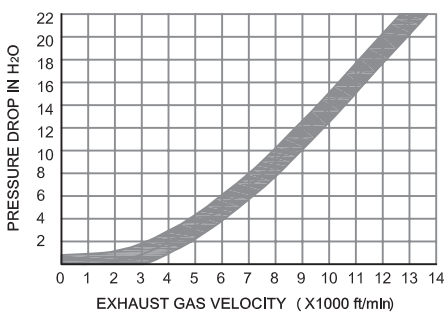
Selecting The Right Silencer

In selecting a proper size silencer for a given application, consideration must be given to the amount of back pressure that will be imposed by the silencer. Other considerations in the selection of silencers are exhaust velocity and the amount of pipe that will be used in conjunction with the exhaust system.. Custom designs are available. Optional features include mounting brackets, stainless steel and high heat black or silver paint.

ATTENUATION CURVE

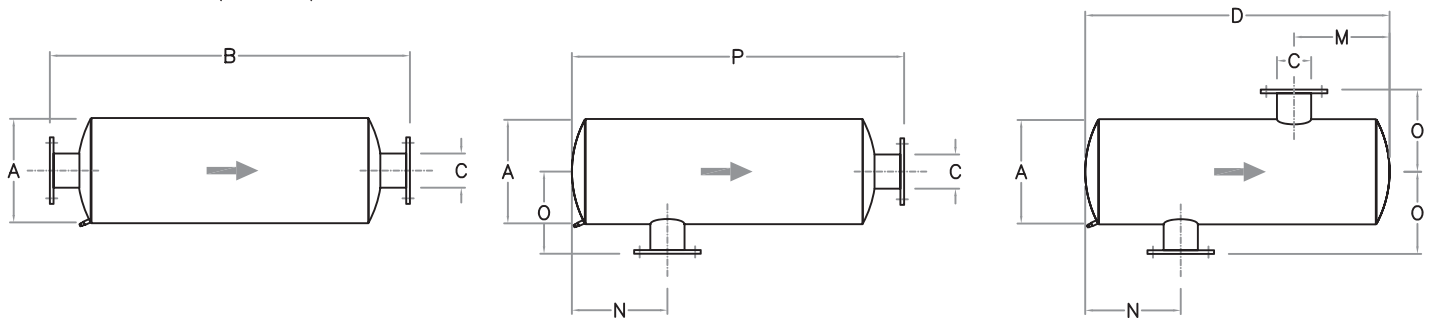


PRESSURE DROP



Model	A		B		C		D		N / min		N / max		O		P		Weight.	
	in	(mm)	in	(mm)	in	(mm)	in	(mm)	in	(mm)	in	(mm)	in	(mm)	in	(mm)	Lb	(Kg)
SM4-1½	9	(229)	36	(914)	1 1/2	(38)	30	(762)	3	(76)	7.5	(191)	7.5	(191)	33	(838)	30	(14)
SM4-2	10	(254)	40	(1016)	2	(51)	34	(864)	4 1/2	(114)	7.5	(191)	8	(203)	37	(940)	39	(18)
SM4-2½	12	(305)	46	(1168)	2 1/2	(64)	40	(1016)	5 1/2	(140)	9.5	(241)	9	(229)	43	(1092)	54	(25)
SM4-3	14	(356)	50	(1270)	3	(76)	44	(1118)	6	(152)	10	(254)	10	(254)	47	(1194)	71	(32)
SM4-3½	16	(406)	54	(1372)	3 1/2	(89)	48	(1219)	7	(178)	11	(279)	11	(279)	51	(1295)	104	(47)
SM4-4	18	(457)	68	(1727)	4	(102)	62	(1575)	7	(178)	16	(406)	12	(305)	65	(1651)	134	(61)
SM4-5	20	(508)	76	(1930)	5	(127)	67	(1702)	9	(229)	17.5	(445)	14	(356)	72	(1829)	167	(76)
SM4-6	26	(660)	84	(2134)	6	(152)	76	(1930)	11	(279)	19	(483)	17	(432)	80	(2032)	291	(132)
SM4-8	30	(762)	100	(2540)	8	(203)	92	(2337)	12	(305)	23	(584)	19	(483)	96	(2438)	414	(188)
SM4-10	36	(914)	118	(2997)	10	(254)	110	(2794)	14	(356)	27	(686)	22	(559)	114	(2896)	640	(291)
SM4-12	36	(914)	132	(3353)	12	(305)	124	(3150)	14	(356)	31	(787)	22	(559)	128	(3251)	727	(330)
SM4-14	40	(1016)	142	(3607)	14	(356)	132	(3353)	17	(432)	35	(889)	25	(635)	137	(3480)	940	(427)
SM4-16	42	(1067)	182	(4623)	16	(406)	172	(4369)	19	(483)	41	(1041)	26	(660)	177	(4496)	1208	(549)
SM4-18	48	(1219)	200	(5080)	18	(457)	190	(4826)	21	(533)	48	(1219)	29	(737)	195	(4953)	1598	(726)
SM4-20	54	(1372)	217	(5512)	20	(508)	207	(5258)	22	(559)	57	(1448)	32	(813)	212	(5385)	2552	(1160)
SM4-22	60	(1524)	230	(5842)	22	(559)	218	(5537)	24	(610)	60	(1524)	36	(914)	224	(5690)	3753	(1706)
SM4-24	64	(1626)	258	(6553)	24	(610)	246	(6248)	26	(660)	69	(1753)	38	(965)	252	(6401)	4432	(2014)
SM4-26	68	(1727)	283	(7188)	26	(660)	271	(6883)	27	(686)	76	(1930)	40	(1016)	277	(7036)	5170	(2350)
SM4-28	72	(1829)	315	(8001)	28	(711)	303	(7696)	29	(737)	86	(2184)	42	(1067)	309	(7849)	6064	(2756)
SM4-30	78	(1981)	326	(8280)	30	(762)	314	(7976)	32	(813)	88	(2235)	45	(1143)	320	(8128)	8284	(3765)

All sizes and measurements are in inches (mm) and pounds (kg)



Flange connection conform to ANSI 150lbs.
Sizes 3½" and smaller have N.P.T connections
Contact SMS for "M" dimensions

The silencer may be installed at any angle. When mounting horizontally allow for a 3/8" per foot to provide drainage.

Mounting brackets, side inlet connections, clean out doors and companion flanges are available at additional cost.

The silencer is of an all welded construction and the exterior surfaces are given a coat of high temperature paint.